



1402864



2227570



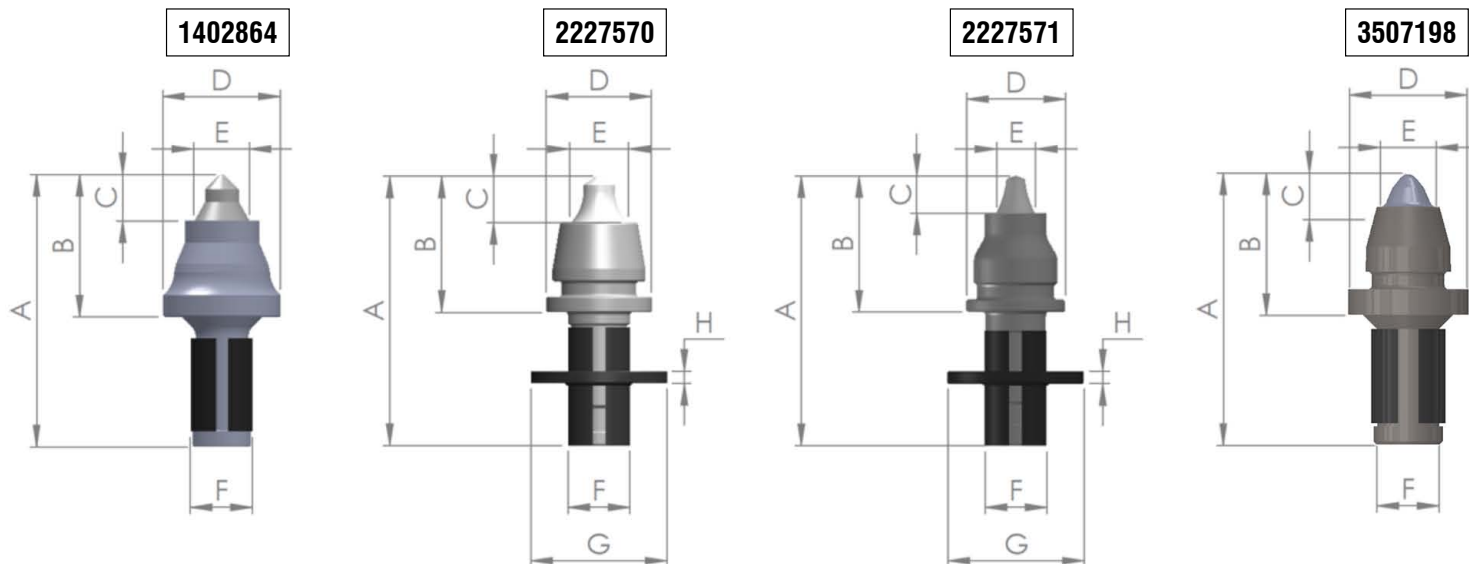
2227571



3507198

BIT CUTTERS

All CTP bit-cutters have 4140 steel body with carbide tip to withstand the most heavy duty applications.



Reference Chart

Part No.	Dimensions (mm)							
	A	B	C	D	E	F	G	H
1402864	87	46	15	38	17	20	--	--
2227570	88	45	16	34	17	20	44	4
2227571	88	45	13	32	13	20	44	4
3507198	86	45	10	38	20	24	--	--

Bit Cutter Part No.	Holder Part No.	Machine Models
1402864	1519941	RM-250C, PM-465, RR-250, RM-330, PM 201, RM-500, RM-350, PM-565B
2227570	2414559	PM-201
2227571	N/A	T6B, T9B, T15B, PC205B, PC408B, PC412B, PC404
3507198	1519941	PM565, PM465, RM250C



* Other part no. not included in the list are available. Please contact your sales representative if you have any questions. Part Numbers are used for reference purposes only