



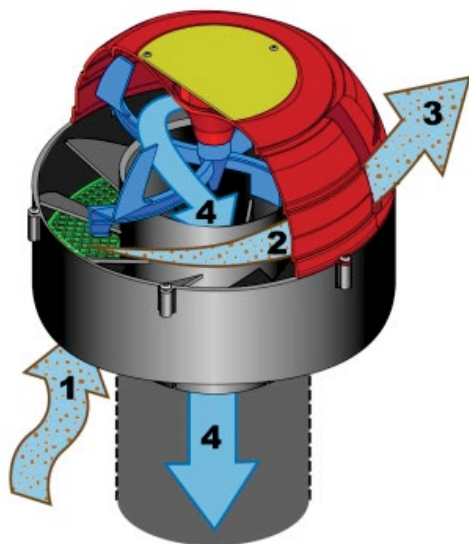
NEW ARRIVALS

ORDER NOW

AIR INLET PRE-CLEANERS



SY-KLONE
INTERNATIONAL



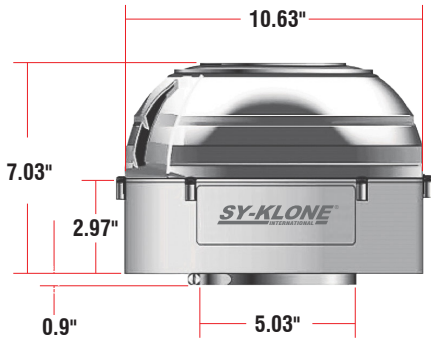
HOW IT WORKS!

- 1** Dirty air enters the underside of the dome through screened louvers, which prevents clogging by blocking large particles from entering the unit.
- 2** Curved blades push air through the system, creating a “Sy-Klone”, pushing dirt and debris against the sidewalls of the dome.
- 3** Strakes move heavier-than-air debris towards the ejection slot, where dirt and dust are ejected into the outside environment.
- 4** Clean air, free from dirt and debris, moves down into the engine air inlet pipe.

* Other part no. not included in the list are available. Please contact your sales representative if you have any questions. Part Numbers are used for reference purposes only.
* Sy-Klone is a registered trademark of Sy-Klone International.

Sy-Klone® engine pre-cleaners keep machines running longer, improve fuel efficiency, and maximize performance, while decreasing maintenance and downtime.

The patented system ensures less dirt and debris goes downstream to the engine filter, extending filter life and increasing machine uptime for heavy equipment operators.



9005
PART NO. 1303279
350-500 CFM
5" INLET



9002
PART NO. 1303280
500-650 CFM
6" INLET



9003
PART NO. 1303281
800-1150 CFM
8" INLET

FEATURES AND BENEFITS

- Proprietary design ejects dust and debris, including dust, dirt, mud, snow, rain, leaves, sawdust, wood chips, and more. Pre-cleaner ejects dirt and debris from air prior to entering the engine, extending air filter life, lowering maintenance costs, and reducing downtime.
- Maintenance-free, no dirt or debris is collected within the unit.
- Improved machine performance and design results in less restriction than competing products, increasing usable horsepower, and improving fuel economy.
- Easy to install, reducers and parts are available to fit virtually any application, intake size, or snorkel.
- Specially engineered polymer construction provides strength and durability with no rust or corrosion, even in extreme conditions.



* Other part no. not included in the list are available. Please contact your sales representative if you have any questions. Part Numbers are used for reference purposes only.

* Sy-Klone is a registered trademark of Sy-Klone International.